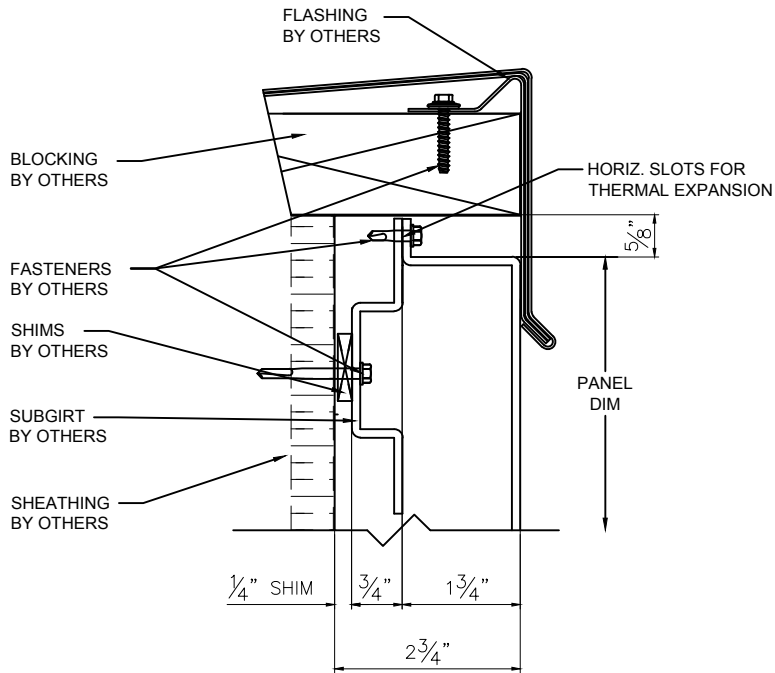
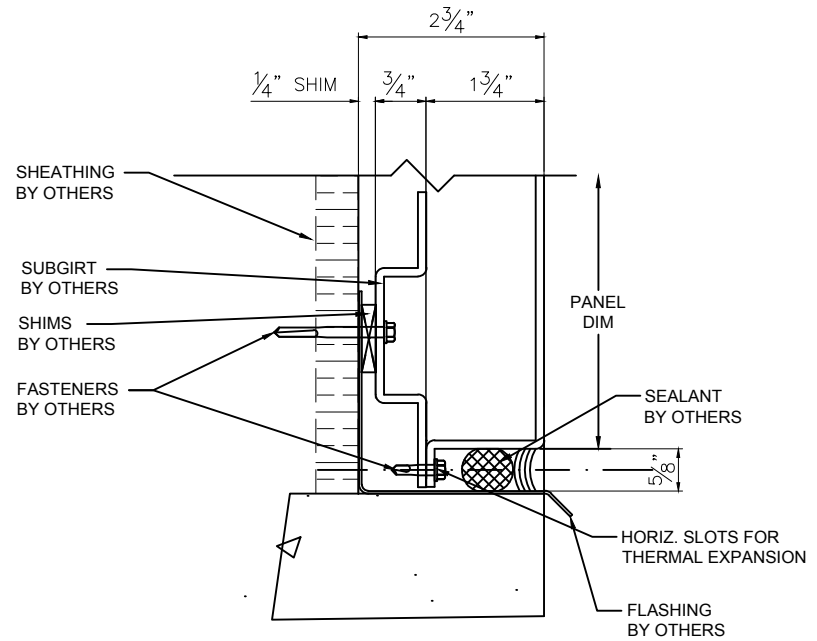


05 XX BPS100  
BPS2 XX JAMB DETAIL  
SCALE: NONE



03 XX BPS100  
BPS2 XX COPING DETAIL  
SCALE: NONE



04 XX BPS100  
BPS2 XX BASE DETAIL  
SCALE: NONE

DESCRIPTION	DATE	NO.	SCALE	DRAWN: TCC	CHECKED:	DATE: 3-11-2015	FILE:
<b>AMERICAN METALCRAFT INC.</b> Engineered Metal Products							
28 Andreev Way Villa Rica, Georgia 30180 770-499-8605 Fax: 770-466-7145 www.americanmetalcraft.com							
<b>PROJECT: BPS 200 DETAILS</b>		<b>ARCHITECT:</b>		<b>CUSTOMER:</b>			
JOB NO. BPS 200							
SHEET. D2							